

Repair Parts For Use With V-3755 Normally Open Valves 1/2 Through 2 in.

Description

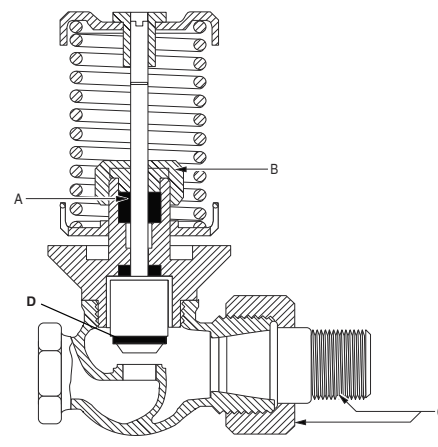
The available parts listed in the Selection Chart can extend the service life of the V-3755 Series Valves and return the valves to near original operating performance.

Selection Charts

Repair Parts for use with V-3755¹

Code Number	Callout	Description
V-9999-608	A	Packing Kit
V-3752-646	B	Packing Nut
	C	Union Nut and Male Tailpiece Assembly for Valves with Union Connections Valve Size (in.)
V-3752-636		1/2
V-3752-637		3/4
V-3752-638		1
V-3752-639		1-1/4
	D	Disc Only Valve Size (in.) Seat Size (in.)
V-3011-6002		1 1
V-3020-6006		1-1/4 1-1/4
V-3020-6007		1-1/2 1-1/2
V-3011-6003		2 2

1. This model discontinued in 1974.



Repair Parts, V-3755

Spring Kits and Recondition Kits for V-3755

Code Number	Valve Size (in.)	Actuator Size	Spring Range (psig)	Spring Kit	Recondition Kits ¹
V-3755	1/2	V-3000	3-6	V-3752-6023	V-3755-6050 (C _v = 3)
			9-13	V-3752-6022	No kit available, replace valve.
	3/4		3-6	V-3752-6023	V-3755-6002 (C _v = 5.2) or V-3755-6007 (C _v = 9)
			9-13	V-3752-6022	or V-3755-6011 (C _v = 6) or V-3755-6017 (C _v = 9)
	1		3-6	V-3752-6024	V-3755-6003 (C _v = 8.2) or V-3755-6008 (C _v = 17)
			9-13	V-3752-6021	or V-3755-6012 (C _v = 10) or V-3755-6018 (C _v = 17)
	1-1/4	3-6	V-3752-6024	V-3755-6004 (C _v = 13) or V-3755-6009 (C _v = 24)	
		9-13	V-3752-6021		
	1-1/2	3-6	V-3754-6010	V-3755-6005 (C _v = 21) or V-3755-6014 (C _v = 23)	
		9-13	V-3754-6009	or V-3755-6020 (C _v = 41)	
	2	3-6	V-3754-6010	V-3755-6015 (C _v = 35) or V-3755-6021 (C _v = 60)	
		9-13	V-3754-6009		

1. Recondition Kit includes: O-ring, Swivel Nut, Washer, Disc Retainer, Disc, Disc Holder, Pins, Swivel, Stem, Bonnet, Packing Follower, Packing, Packing Nut, and Packing Spacer.