

Repair Parts For Use With V-7216 Two-Way Normally Open Steam or Water Valve

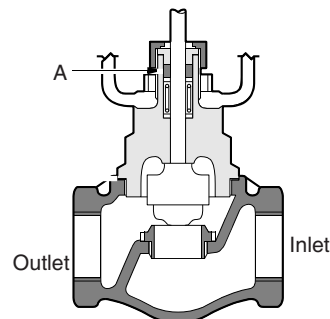
Description

The available packing kits can extend the service life of the V-7216 Series Valves. No inner valve kits are available for this series of valves.

Selection Chart

Code Number	Callout	Description	
	A	Packing Kits	
		Valve Size (in.)	Stem Size
V-9999-608 ¹		1/2 and 3/4	1/4
V-5290-6840 ²		1/2 through 1	1/4
V-9999-613 ¹		1-1/4 through 2	3/8
V-5290-6841 ²			

1. Low temperature use, less than or equal to 281° F (138° C)
2. High temperature use, greater than 281° F (138° C)



Repair Parts, V-7216

Repair Parts For Use With V-7416 Two-Way Normally Closed Steam or Water Valve

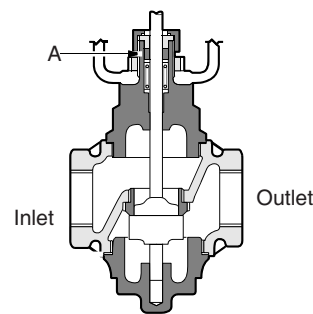
Description

The available packing kits can extend the service life of the V-7416 Series Valves. No inner valve kits are available for this series of valves.

Selection Chart

Code Number	Callout	Description	
	A	Packing Kits	
		Valve Size (in.)	Stem Size
V-9999-608 ¹		1/2 and 3/4	1/4
V-5290-6840 ²		1/2 through 1	1/4
V-9999-613 ¹		1-1/4 through 2	3/8
V-5290-6841 ²			

1. Low temperature use, less than or equal to 281° F (138° C)
2. High temperature use, greater than 281° F (138° C)



Repair Parts, V-7416