

Repair Parts For Use With V-4334 5/8 in. Flare Valve

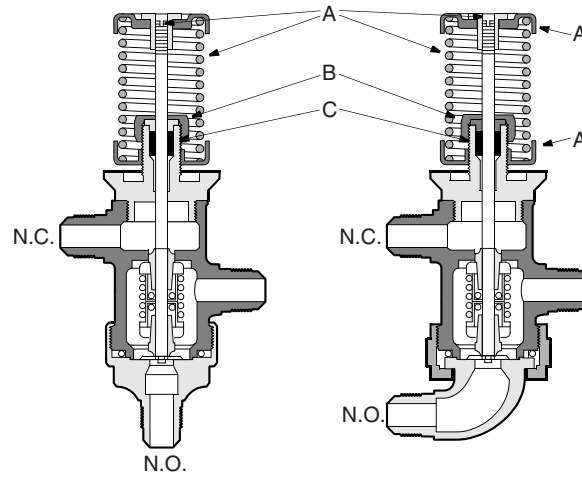
Description

The available service parts listed in the tables can extend the service life of the V-4334 flare valve assemblies and in many cases return the valve to near original operating performance.

Selection Chart

Code Number	Call-out	Description			
	A	Springs:	Range (psig)	Valve Size (in.)	Stroke (in.)
V-4332-6001			4 to 8	5/8	0.313
V-3752-6022			9 to 13	5/8	0.313
V-3752-646	B	Gland Nut			
V-9999-608	C	Ring Pack Packing Kits:	Single-Pack		
V-9999-610			10-Pack (Contains Enough Material to Repack 10 Valves)		
V-9999-630			50-Pack (Contains U-Cups and O-Rings only to Repack 50 Valves)		
	(---)	Recondition Kit: ¹	Valve Size (in.)	Cv	
V-4334-6001			5/8 in.	4.7	

1. Recondition Kit Includes: Cage, O-ring, Plug, Stem, Bonnet, Packing, Packing Nut, Instructions



Repair Parts, V-4334

Repair Parts For Use With V-4440 Water Valve 1/2 and 5/8 in. For Three- and Four-Pipe Systems

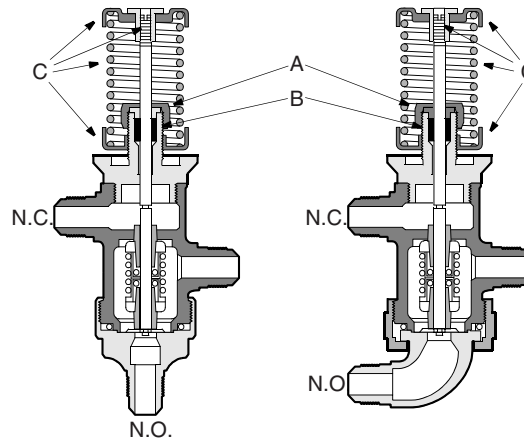
Description

The available service parts listed in the tables can extend the service life of the V-4440 flare valve assemblies and in many cases return the valve to near original operating performance.

Selection Chart

Code Number	Call out	Description			
V-3752-646	A	Gland Nut			
V-9999-608	B	Ring Pack Packing Kits	Single-Pack		
V-9999-610			10-Pack (Contains Enough Materials to Repack 10 Valves)		
V-9999-630			50-Pack (Contains U-Cups and O-Rings Only to Repack 50 Valves)		
	C	Main Springs	Valve Size (in.)	Spring Range (psig)	
V-4440-6001			1/2	6 to 9	
V-4440-6002			1/2	4 to 12	
V-4440-6001			5/8	6 to 9	
V-4440-6002			5/8	4 to 12	
	(---)	Recondition Kits ¹	Valve Size (in.)	Spring Range (psig)	Cv
V-4440-6003			1/2	4 to 12	1.4
V-4440-6004					2.4
V-4440-6005				6 to 9	2.4

1. Recondition kit includes: cage, O-ring, plug, stem, bonnet, packing, packing nut, and instructions.



Repair Parts, V-4440
N.O. = Normally Open N.C. = Normally Closed