

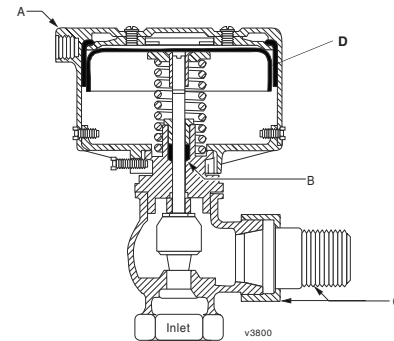
## Repair Parts For Use With V-3800 Normally Open Valves 1/2 and 3/4 in.

### Description

The available packing kit and diaphragm kit can extend the service life of the V-3800 Series Valves. No inner valve kits are available for this series of valves.

### Selection Chart

Code Number	Callout	Description
V-3802-1	A	Oval Actuator Complete
V-9999-608	B	Packing Ring Pack
	C	Union Nut and Tailpiece Assembly for Valves with Union Connections
		Valve Size (in.)
V-3752-636		1/2
V-3752-637		3/4
V-3100-611	D	Diaphragm for Oval Top Actuators



Repair Parts, V-3800

Note: This model discontinued in 1978.

## Repair Parts For Use With V-5210 High Pressure Normally Open Valve 2-1/2 Through 4 in. Cast Iron 250 lb ANSI Raised Flanges

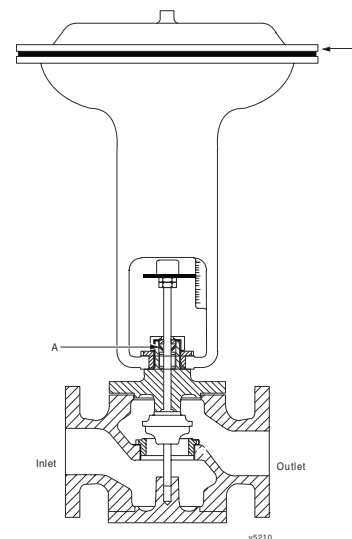
### Description

The repair parts available for the V-5210 Series of valves are limited to the parts in the selection chart.

### Selection Chart

#### Repair Parts for use with V-5210

Code Number	Callout	Description	
V-5290-6842 <sup>1</sup>	A	Packing Kits: Include PTFE V-Rings for 2-1/2 through 4 in. Valves	Steam Valves
V-4530-650 <sup>2</sup>		Packing Kit V-3000 & 4R	
V-4530-626 <sup>&lt;superscript&gt;2</sup>		5R & 8R	
V-9999-608 <sup>&lt;superscript&gt;2</sup>		Packing Kit V-3000 & 4R	
V-4710-602	B	Diaphragms 4R	
V-4710-603		5R	
V-4710-604		8R	



Repair Parts, V-5210

1. For valves shipped after June 1982.
2. For valves shipped before June 1982.