

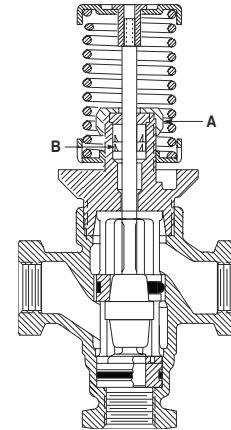
## Repair Parts For Use With V-4324 with Actuator and VB-4324 without Actuator (Including 1/2 in.)

### Description

The available service parts listed in the tables can extend the service life of the V-4324 and VB-4324 cage trim valve assemblies and in many cases return the valve to near original operating performance.

### Selection Charts

Note: 1/2 inch valve assemblies discontinued in 1991.  
 VB valves used with AV-8050, AV-8051, AV-8052, AV-8090, AV-8091, and AV-8092 assemblies.  
 Springs are under compression.  
 Removal of springs requires use of spring compression tool JC 5389.



Repair Parts, V-4324 and VB-4324

Code Number	Callout	Description	V-3754	VB-3754
V-3752-646	A	Gland Nut (Packing Nut)	X	X
V-9999-608	B	Ring Pack	X	X
V-9999-610		Packing Kits	X	X
V-9999-630			X	X

### Spring Kits and Recondition Kits for V-4324 and VB-4324

Valve	Valve Size	Actuator Size	Spring Range	Spring Kit <sup>1</sup> Code Number	Recondition Kit <sup>2</sup> Code Number
V-4324	1/2 in.	V-3000	4-8#	V-3974-6008	V-4324-6003 (C <sub>v</sub> = 1.20), or V-4324-6004 (C <sub>v</sub> = 2.20), or V-4324-6005 (C <sub>v</sub> = 4.40)
			9-13#	V-3754-6009	
	3/4 in.		4-8#	V-3974-6008	V-4324-6001 (C <sub>v</sub> = 8.6)
			9-13#	V-3754-6009	
	1 in.	4-8#	V-3974-6009	V-4324-6002 (C <sub>v</sub> = 13.9)	
		9-13#	V-3754-6008		
	1-1/2 in.	4-8#	V-3974-6009	V-5844-6001 (C <sub>v</sub> = 27.5)	
		9-13#	V-3754-6008		

1. Spring Kit Includes: Upper & Lower Spring Plate, Spring, Stem Connector, Stem Lock Screw, Instructions
2. Recondition Kit Includes: Cage, O-ring, Plug, Stem, Bonnet, Packing, Packing Nut, Instructions

## Repair Parts For Use With V-3854 with Oval Top Actuator

### Description

The available packing kits and spring kits can extend the service life of the V-3854 Series Valves. No inner valve kits are available for this series of valves.

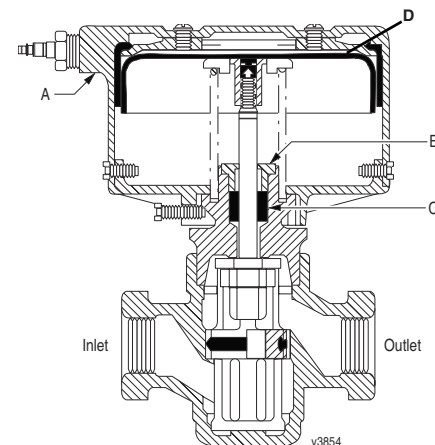
### Selection Charts

Code Number	Callout	Description
V-3802-1	A	Oval Actuator
V-3800-660	B	Packing Nut
V-9999-608	C	Ring Pack
V-9999-610		Packing Kits
V-9999-630		
V-3100-611	D	Diaphragm

### Spring Kits<sup>1</sup> for use with V-3854 with Oval Top Actuator

Valve	Valve Size	Actuator Size	Spring Range	Spring Kit Code Number
V-3854	1/2 in.	V-3802	3-6	V-3754-6012
			9-13	V-3754-6013

1. Spring Kits include: upper spring seat, spring, stem extension, lock screw, and installation instruction.



Repair Parts, V-3854 with Oval Top Actuator